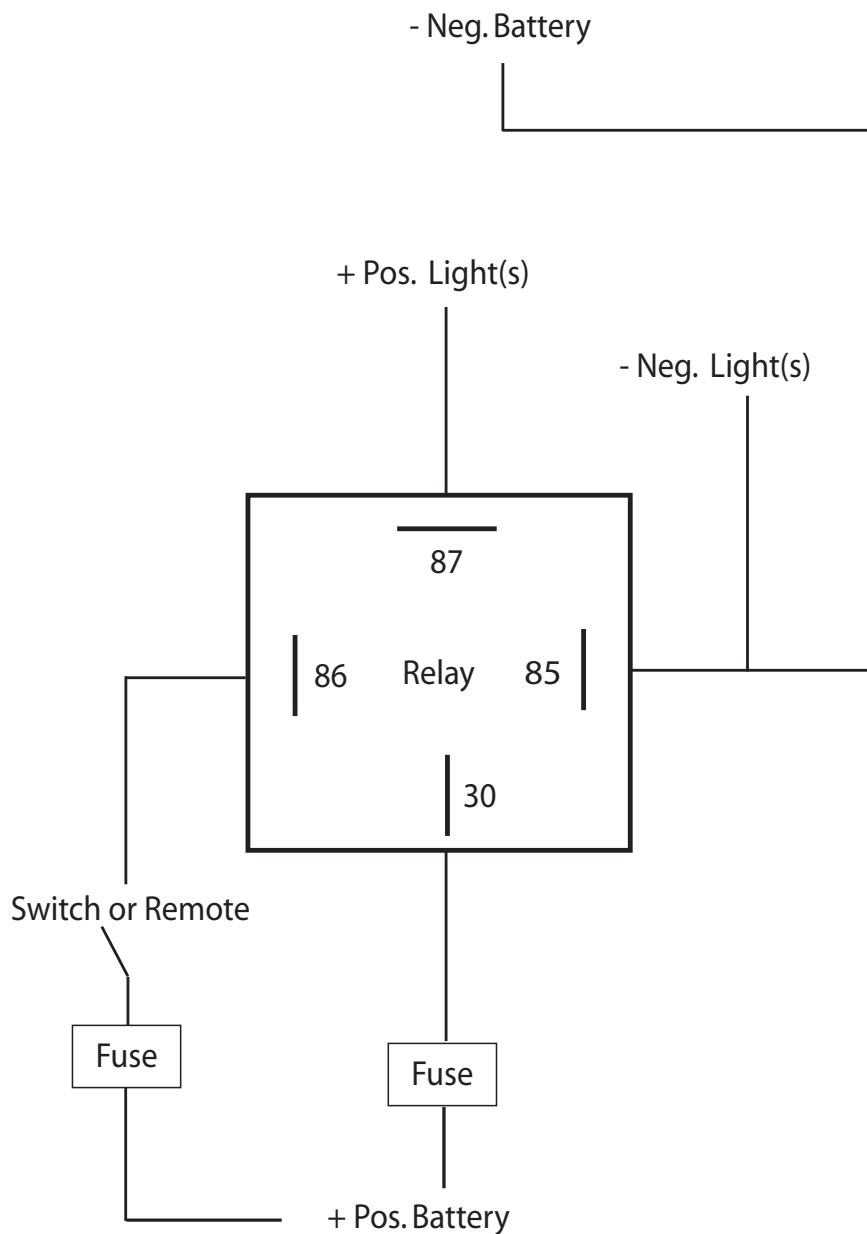


~ Relay Diagram ~



NOTICE: Be sure NOT to cross the Negative and Positive leads when wiring.

- All wiring must be carried out by a suitably trained/qualified electrician.
- Relays are used to switch a lower resistance path for the power to the lights for longer wire runs.