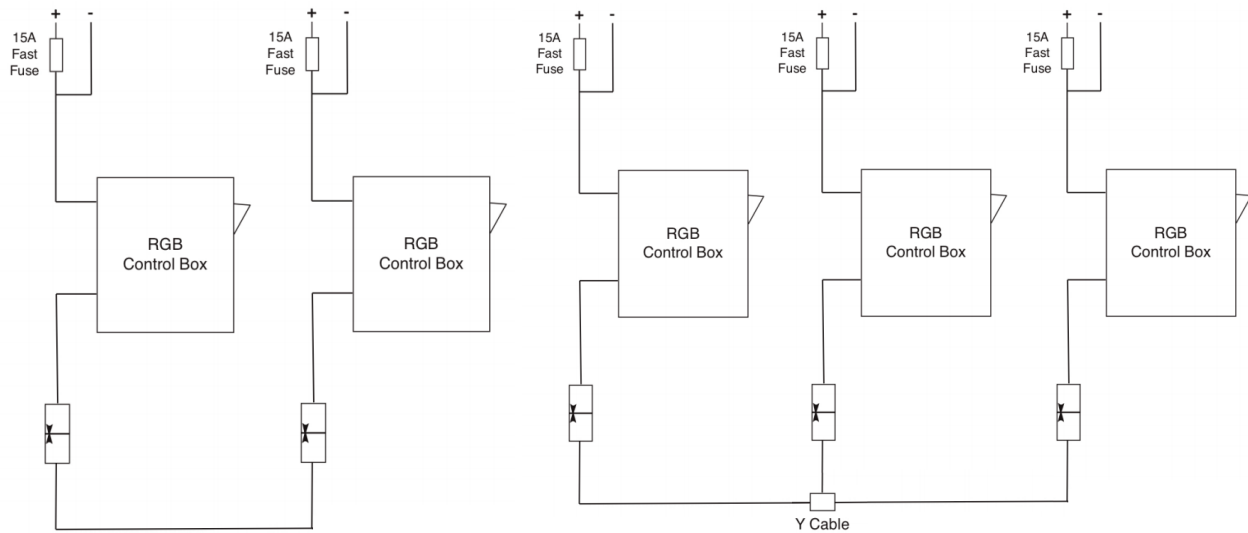


RGB Sea-View Supplement Cascading RGB Control Boxes

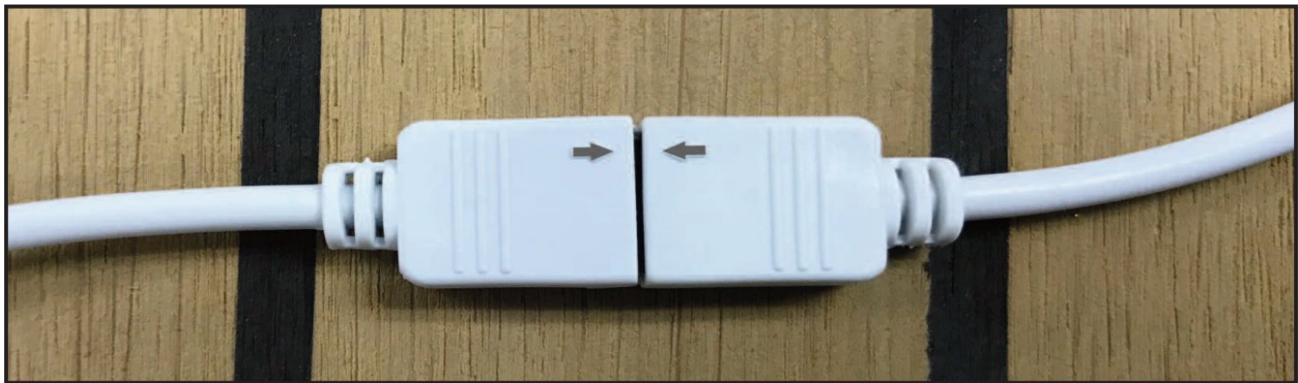
Connections

Multiple RGB control boxes may be connected via the daisy chain cables. 4-pin headers are used to join cables. All control boxes must have a common ground connection via the negative power leads.

The daisy chain cable can be extended up to 100 feet using CAT-5 network cable or 4 conductor telephone cable.



Ensure that RGB control cable connection orientation is correct by matching arrows:



Using the system

Only one remote pairing switch must be turned on and the others must be turned off. The remote pairing switch is located inside of the RGB control box.