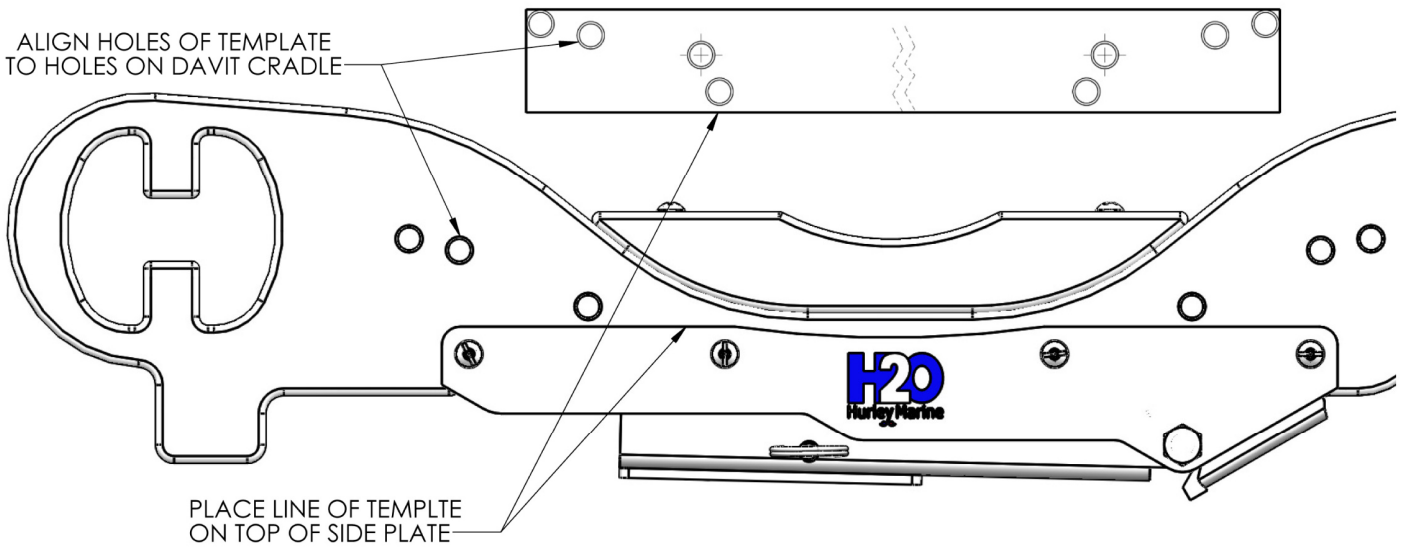
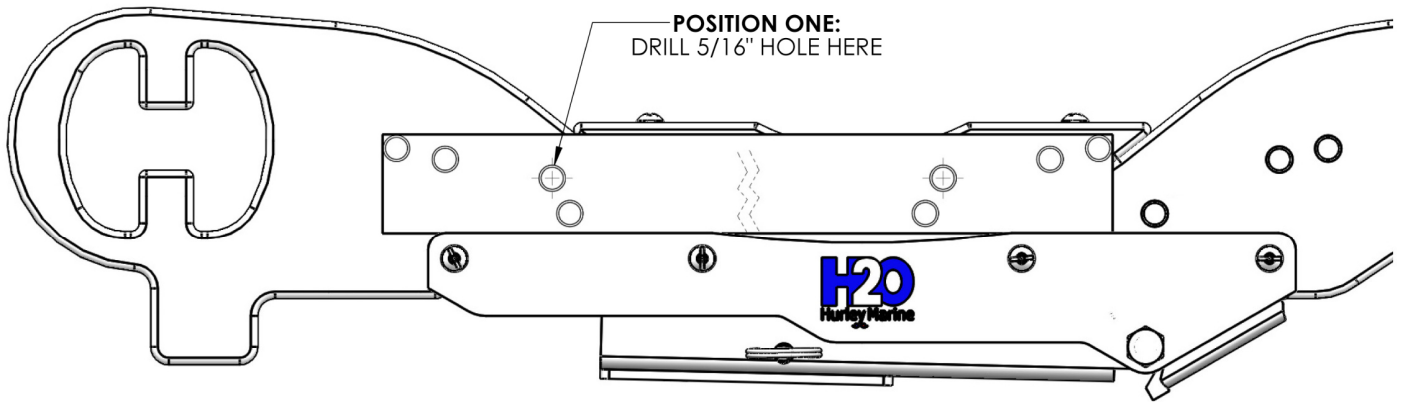


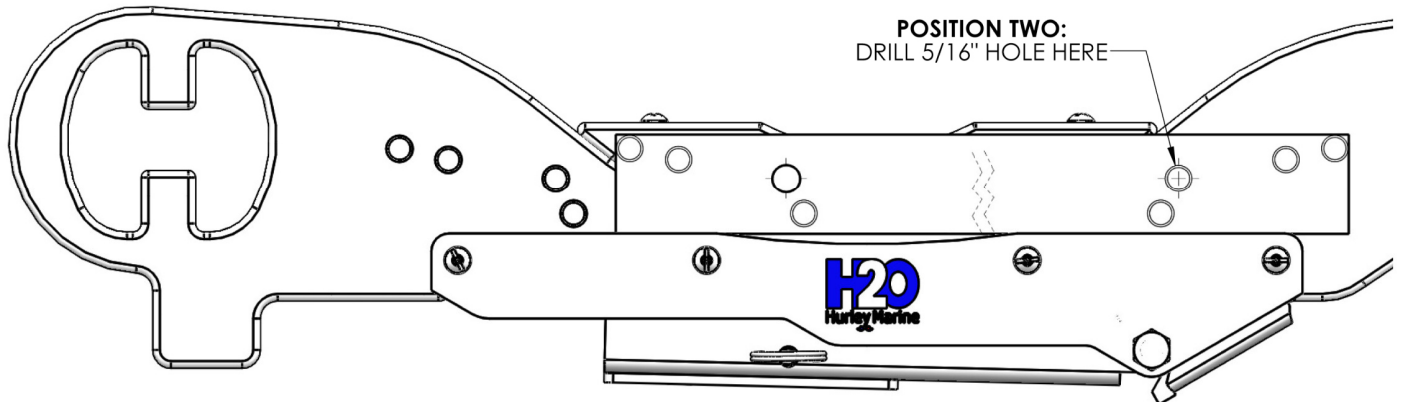
ALIGN HOLES OF TEMPLATE
TO HOLES ON DAVIT CRADLE

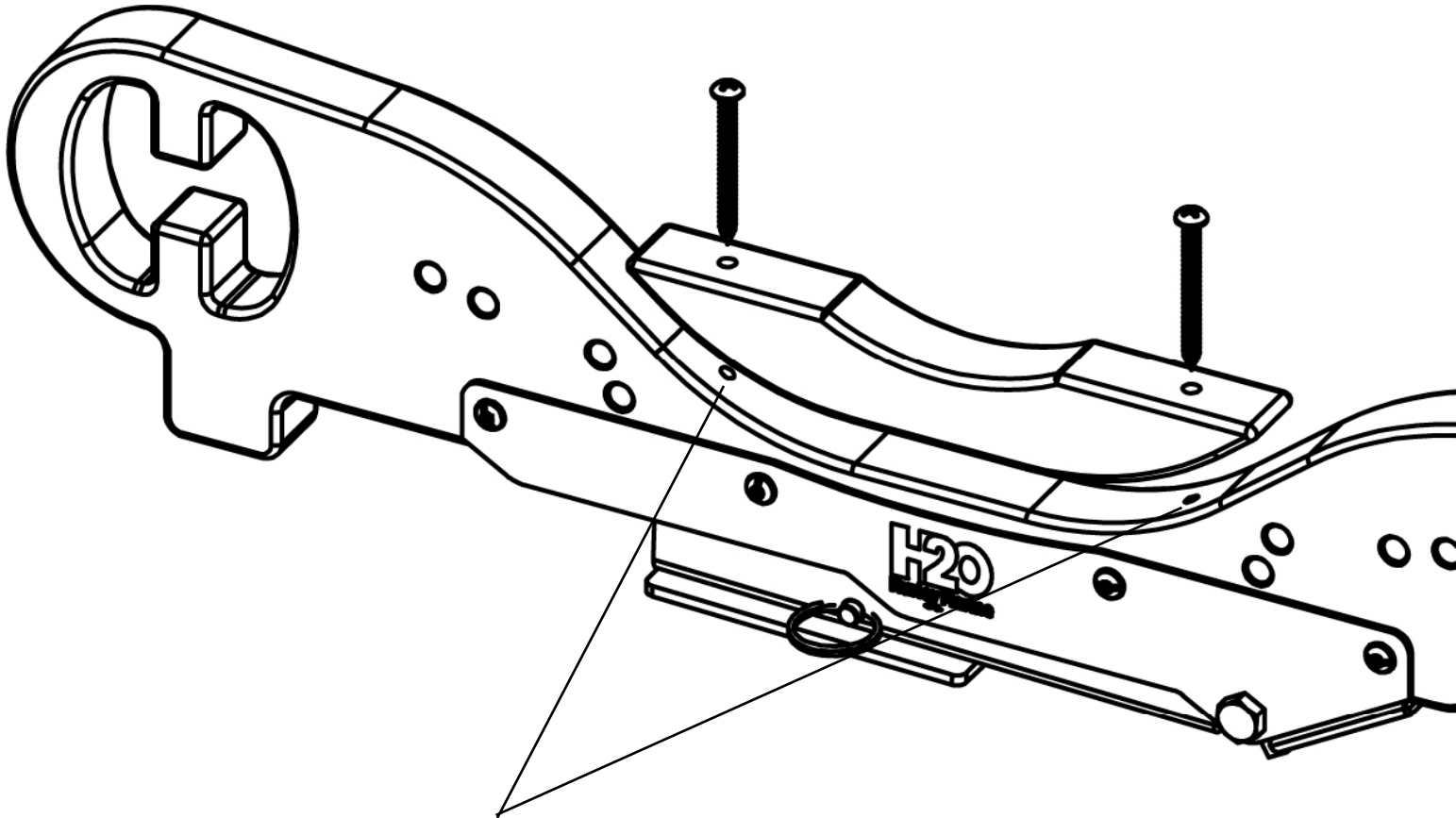


POSITION ONE:
DRILL 5/16" HOLE HERE



POSITION TWO:
DRILL 5/16" HOLE HERE





DRILL TWO 5/32" HOLES