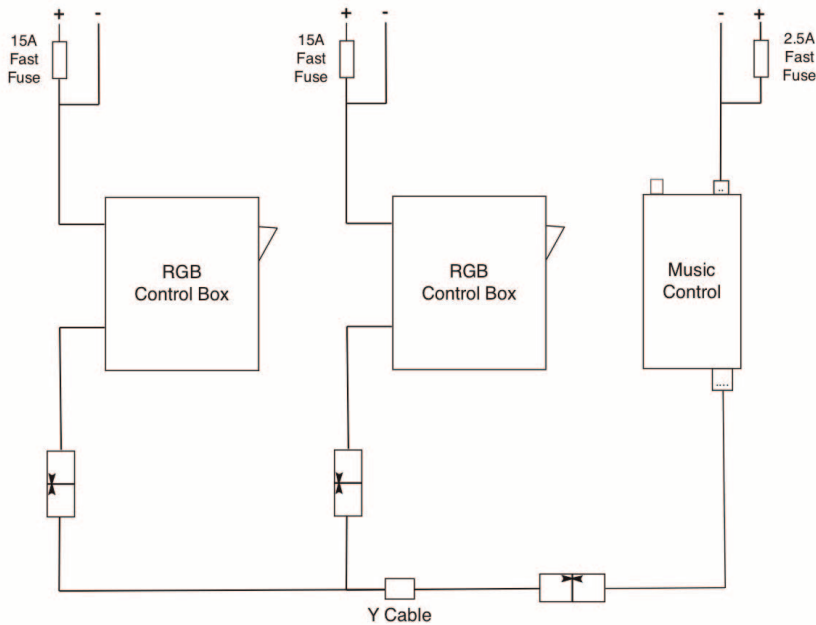


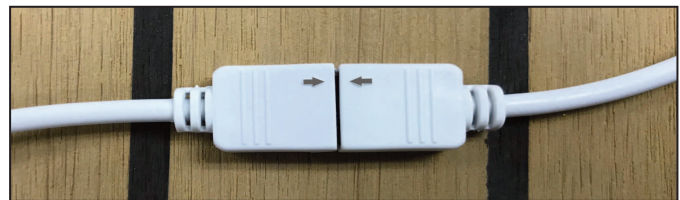
CONNECTIONS

The External Music Controller may be connected to one or more Hurley RGB control boxes. The music controller must support common anode RGB lights (the common wire is positive.) An RGB control Y cable is supplied to connect two RGB control boxes (required for more than 4 RGB lights.) All control boxes must have a common ground connection via the negative power leads.



The RGB control cable from the music controller can be extended up to 100 feet using CAT-5 network cable or 4 conductor telephone cable.

Ensure that RGB control cable connection orientation is correct by matching arrows



USING THE SYSTEM

If more than one Hurley RGB Control Box is used then only one remote pairing switch must be turned on. The remote pairing switch is located inside of the Hurley RGB Control Box.

To use the music control the “off” button on the Hurley Marine RGB remote control must be pressed to prevent interference. Interference shows as an erratic flickering of the lights.

To use the Hurley Marine internal control the music controller must be turned off to prevent interference.

24Key Wireless Remote Control

- 
 16 Color Selection
- 
 Wireless Control
- 
 Battery Included

